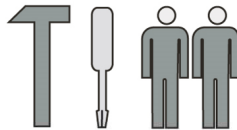
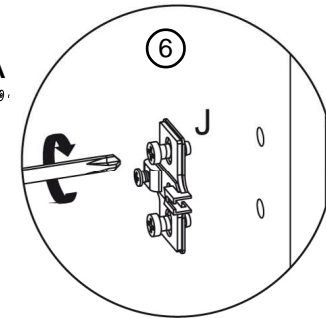
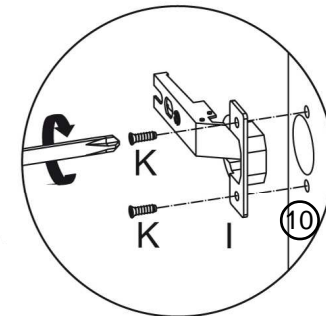
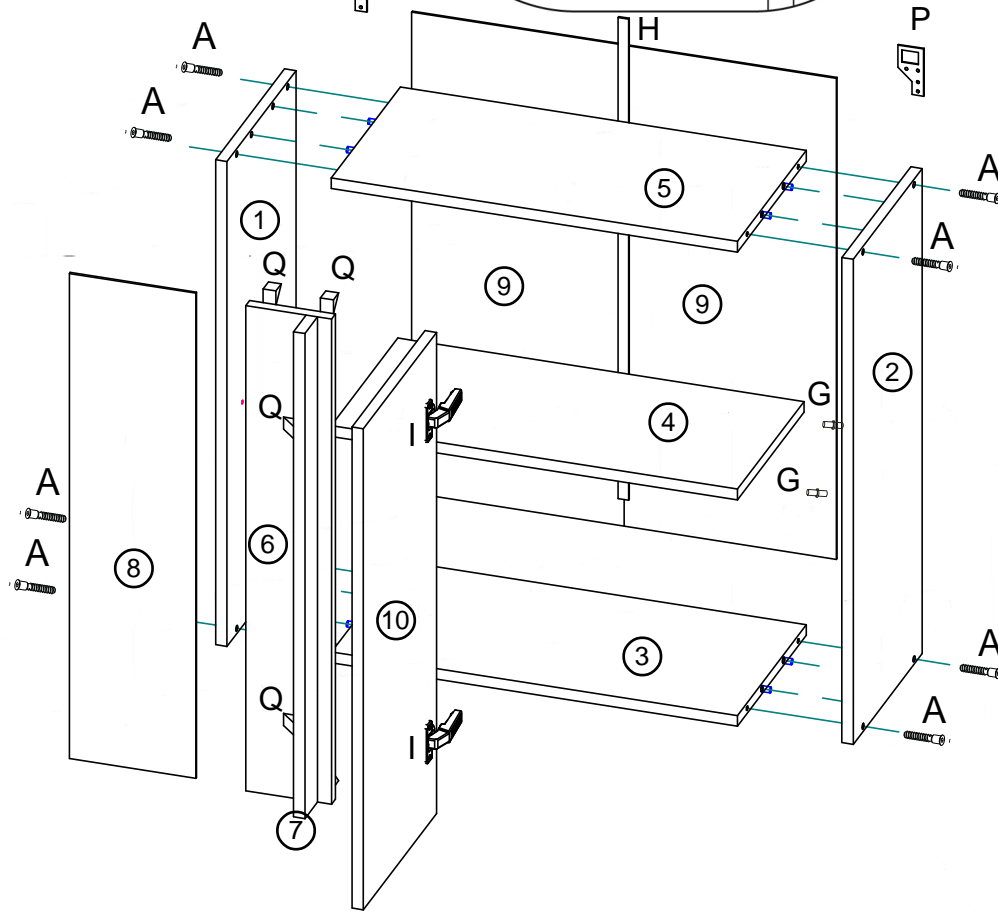
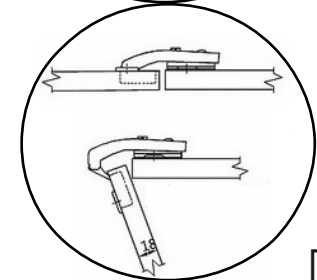
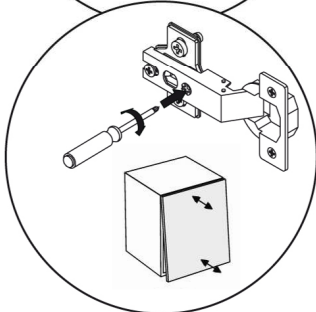
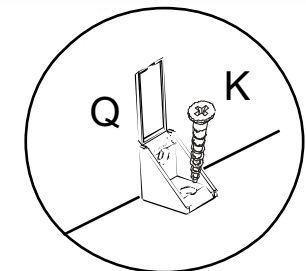
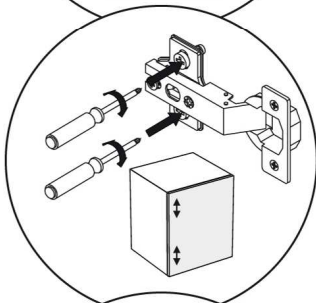
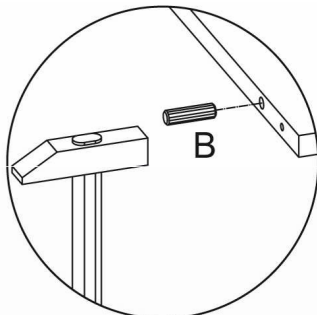
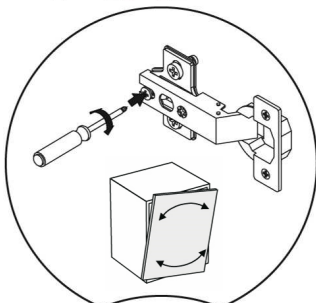
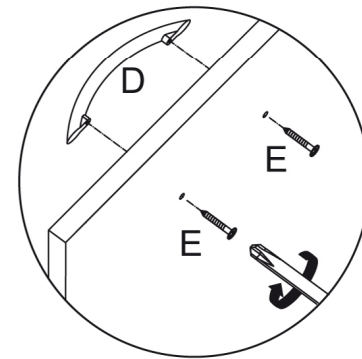
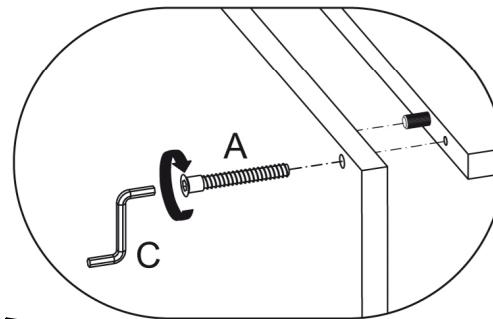
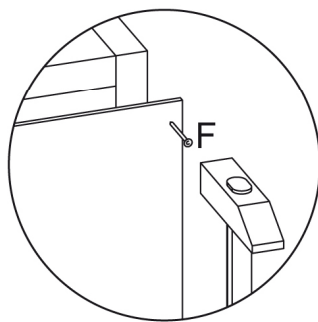
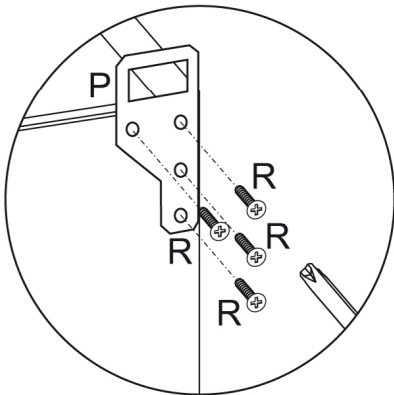


GNW-60



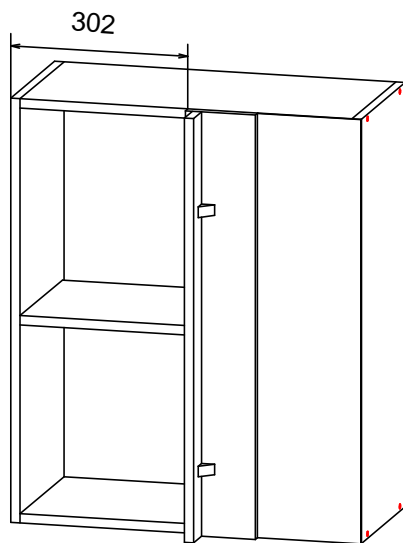
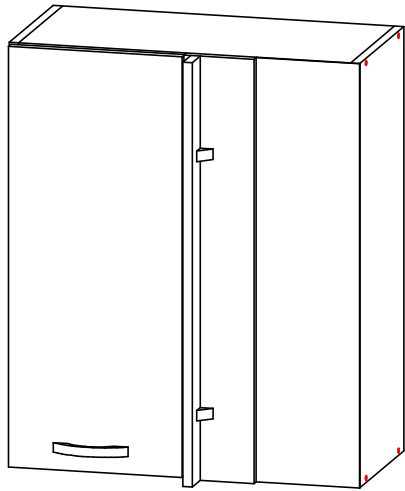
8	8	1	1	2	~ 30	4	2	2	16	2	8	6



No packer:

Dear Customer.  
We regret to inform you, that in time complaint please give No packer and No missing and spoil element.

# L



# P

